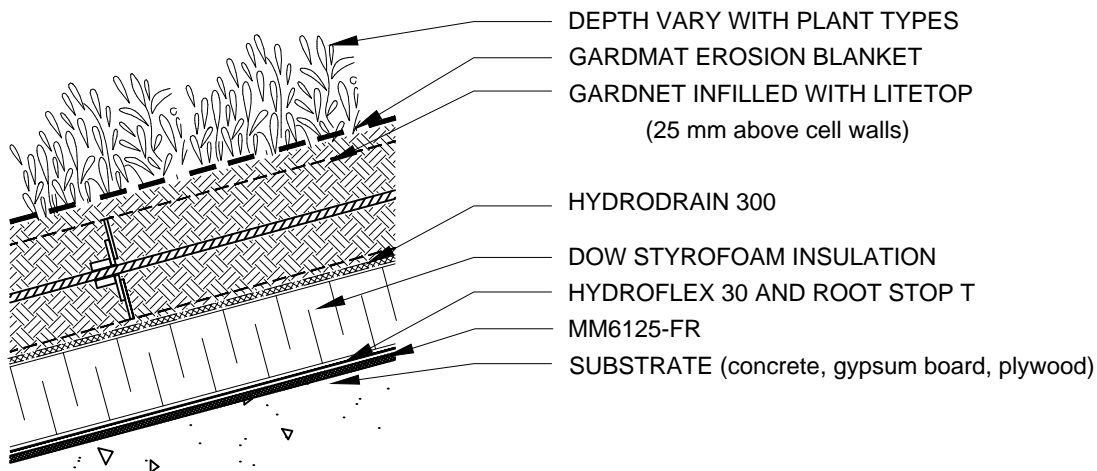


LAWN



STEEP SLOPE* (3:12 TO 12:12; SEE NOTE BELOW)

NOTES:

- ADDITIONAL COMBINATIONS OF GARDEN ROOF ASSEMBLY COMPONENTS ARE POSSIBLE TO FIT SPECIFIC PROJECT REQUIREMENTS. CONTACT HYDROTECH FOR VARIATIONS ON ABOVE ASSEMBLIES.
- INSTAGREEN SEDUM CARPET AND INSTAGREEN SEDUM TILE MAY BE USED IN SLOPED APPLICATIONS IN LIEU OF THE VEGETATION AND GARDMAT EROSION BLANKET.
- IF INSULATION IS NOT INSTALLED IN THE STEEP SLOPE APPLICATION, HYDRODRAIN 300 MUST BE REPLACED WITH HYDRODRAIN 302 PLACED DIRECTLY ON THE ROOTSTOP T.

*DEPENDING ON SPECIFIC CONDITIONS, GARDNET MAY BE MORE APPROPRIATE AT MODERATE SLOPE AS WELL. CONSULT HYDROTECH.



GARDEN
ROOF
ASSEMBLY

GARDEN ROOF ASSEMBLY
LAWN AND STEEP SLOPE

HYDROTECH MEMBRANE CORP.

NO SCALE

GAC-1B